



TR5N

➤ MAIN FEATURES

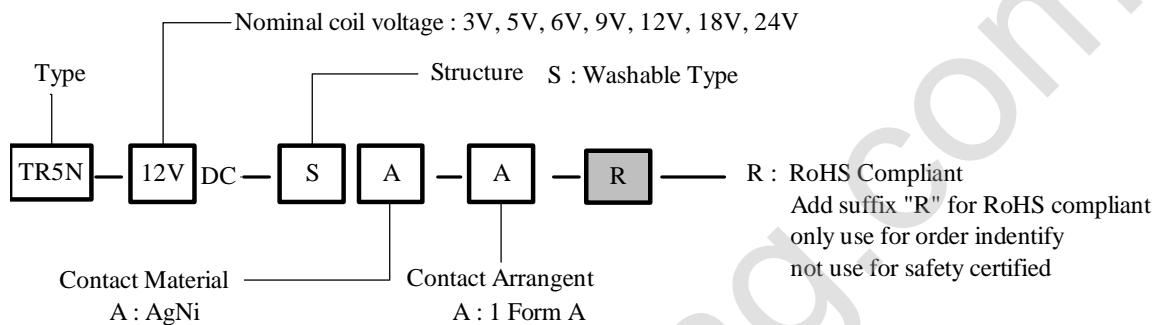
- Small size, light weight.
- Switching capacity up to 5A.
- Low coil power consumption 0.2W.

➤ APPLICATIONS

- Suitable for household electrical appliances, automation system, electronic equipment, instrument, meter, telecommunication facilities and remote control facilities.



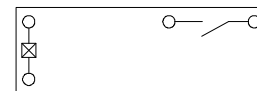
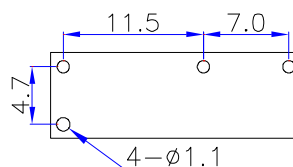
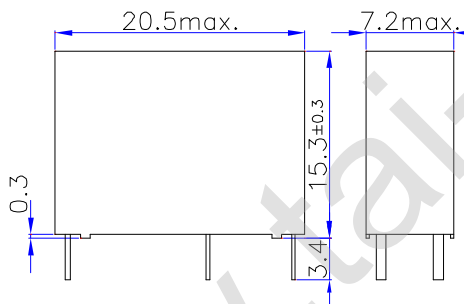
➤ ORDERING INFORMATION



■ DIMENSION (unit:mm)

■ DRILLING (unit:mm)

■ WIRING DIAGRAM



Remark: 1. In case of no tolerance shown in dimension: ±0.5mm.
2. The tolerance without indicating for DRILLING is always ±0.1mm.

➤ **COIL DATA CHART(at 20°C)**

Coil Sensitivity	Coil Voltage (VDC) Rated	Nominal Current (mA)	Coil Resistance (Ω) $\pm 10\%$	Coil Power (mW)	Pickup voltage (VDC) Max. (75% of rated voltage)	Release voltage (VDC) Min. (10% of rated voltage)	Allowable Voltage (VDC) Max.
Sing Side Stable	3	66.7	45	200	2.25	0.18	3.9
	5	40.0	125		3.75	0.25	6.5
	6	33.3	180		4.50	0.30	7.8
	9	22.2	405		6.75	0.45	11.7
	12	16.7	720		9.00	0.60	15.6
	18	11.1	1620		13.5	0.90	23.4
	24	8.3	2880		18.0	1.20	31.2

➤ **CONTACT RATING**

Item	Type	TR5N
Contact Capacity		5A /250VAC
Resistive Load ($\cos\Phi = 1$)		5A / 30VDC
Max. Switching Voltage		30VDC 250VAC
Max. Switching Current		5A
Max. Switching Power Force		150W 1250VA
Referenced Min. Applicable Load		0.1mA 0.1VDC
Contact Material		Ag Alloy

➤ **PERFORMANCE (at initial value)**

Item	Type	TR5N
Contact Resistance		100m Ω Min
Operation Time		Approx. 10msec
Release Time		Approx. 10msec
Dielectric Strength		750VAC (1 minute)
Between open contacts		4000VAC (1 minute)
Between coil & contact		
Shock Resistance		100m/s ² 11ms
Functional		1000m/s ² 6ms
Survival		
Vibration Resistance		1.5mm D.A. 10 to 55Hz
Functional		1.5mm D.A. 10 to 55Hz
Survival		
Terminals resistance		5N
Solderability		235°C \pm 2°C, 3s \pm 0.5s
Temperature Range		-30°C ~70°C
Relative Humidity		20%~85%(at 40°C)
Insulation Resistance		1000 M Ω Min. (at 500VDC)
Life Expectancy		1 \times 10 ⁵ ops. Min.
Electrically		1 \times 10 ⁷ ops. Min.
Mechanically		
Weight		4g
UL		E156521

This datasheet for reference and subject to change without notice. Please double check final specification with Tai-Shing. (0939AA08VOL01)