



TR83

➤ MAIN FEATURES

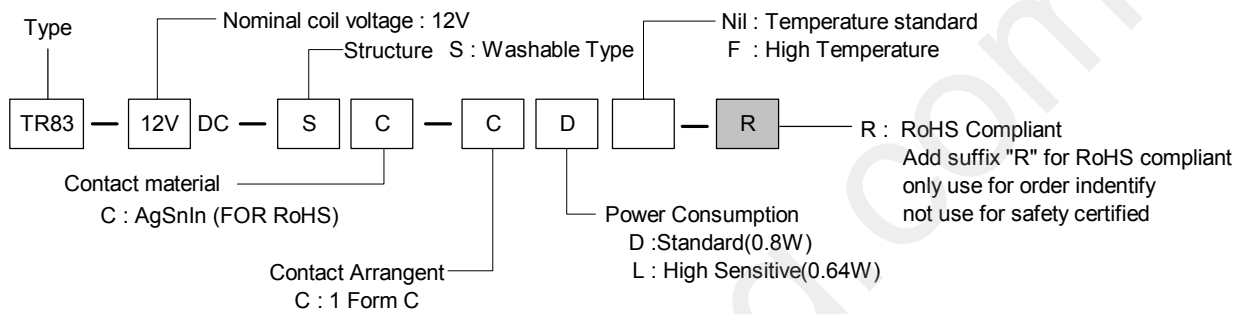
- Compact size.
- Contact arrangement: 2 Form C.
- DPDP(B-M) contacts with internal H-bridge.
- Switching capacity up to 25A motor lock load.
- High performance PCB relay.



➤ APPLICATIONS

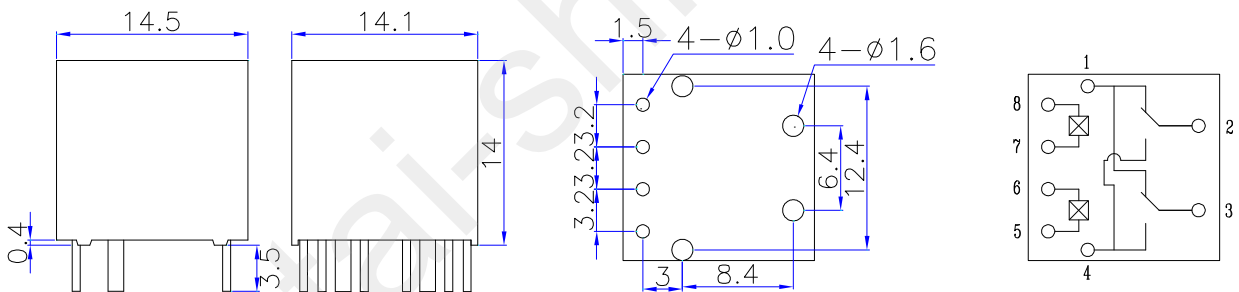
- Suitable for household electrical appliances, automation system.

➤ ORDERING INFORMATION



■ DIMENSION (unit:mm) ■ DRILLING (unit:mm) ■ WIRING DIAGRAM

(Bottom Views)



➤ **COIL DATA CHART**(at 20°C)

Coil Sensitivity	Coil Voltage (VDC) Rated	Nominal Current (mA)	Coil Resistance (Ω) $\pm 10\%$	Coil Power (W)	Pickup voltage (VDC) Max. (60% of rated voltage)	Release voltage (VDC) Min. (83% of rated voltage)	Coil Voltage (VDC) Max.
TR83 (High Sensitive)	12	53.3	225	0.64	7.2	1.0	16
TR83 (Standard)	12	66.7	180	0.80	6.5	1.0	16

➤ **CONTACT RATING**

Item	Type	TR83
Contact Capacity Resistive Load ($\cos\Phi = 1$)		25A Motor Lock / 14VDC
Max. Switching Voltage		16VDC
Max. Switching Current		30A
Max. Switching Power Force		480W
Contact Material		Ag Alloy

➤ **PERFORMANCE** (at initial value)

Item	Type	TR83
Contact Resistance		100m Ω
Operation Time		Approx. 10msec
Release Time		Approx. 5msec
Dielectric Strength Between open contacts Between coil & contact		500V 50Hz 500V 50Hz
Shock Resistance Functional Survival		100m/s ² 11ms 1000m/s ² 11ms
Vibration Resistance Functional Survival		45 m/s ² D.A. 10 to 500Hz 45 m/s ² D.A. 10 to 500Hz
Terminals resistance		5N
Solderability		235°C \pm 2°C, 3 \pm 0.5s
Temperature Range		-40°C ~105°C
Relative Humidity		85% (at 40°C)
Insulation Resistance		100 M Ω Min. (at 500VDC)
Life Expectancy Mechanically Electrically		1 \times 10 ⁶ ops. Min. 1 \times 10 ⁵ ops. Min.
Weight		7.5g

This datasheet for reference and subject to change without notice. Please double check final specification with Tai-Shing. (1030AA08VOL01)