

## SVA SERIES SOLID STATE RELAY

**SVA-200V010S-1P**  
**SVA-200V015S-1P**  
**SVA-200V025S-1P**  
**SVA-200V040S-1P**  
**SVA-200V050S-1P**  
**SVA-200V075S-1P**  
**SVA-200V090S-1P**

**VR Control AC Loading S.S.R**



## Specifications

MODEL SERIES NO.	CONTROL VOLTAGE	MUST TURN OFF VOLTAGE	INPUT IMPEDANCE	LOADING CURRENT	LOADING VOLTAGE	MIN BLOCKING VOLTAGE	MAX OFF-STATE LEAKAGE	FREQUENCY RANGE	MAX 1-CYCLE PEAK SURGE
SVA-200V010S-1P	VR 0~500 KΩ	—	1.5 KΩ	10A	24 ~ 280VAC	600VAC	LESS 3 mA	47-70HZ	100A
SVA-200V015S-1P	VR 0~500 KΩ	—	1.5 KΩ	15A	24 ~ 280VAC	600VAC	LESS 3 mA	47-70HZ	150A
SVA-200V025S-1P	VR 0~500 KΩ	—	1.5 KΩ	25A	24 ~ 280VAC	600VAC	LESS 3 mA	47-70HZ	250A
SVA-200V040S-1P	VR 0~500 KΩ	—	1.5 KΩ	40A	24 ~ 280VAC	600VAC	LESS 3 mA	47-70HZ	400A
SVA-200V050S-1P	VR 0~500 KΩ	—	1.5 KΩ	50A	24 ~ 280VAC	600VAC	LESS 3 mA	47-70HZ	500A
SVA-200V075S-1P	VR 0~500 KΩ	—	1.5 KΩ	75A	24 ~ 280VAC	600VAC	LESS 3 mA	47-70HZ	750A
SVA-200V090S-1P	VR 0~500 KΩ	—	1.5 KΩ	90A	24 ~ 280VAC	600VAC	LESS 3 mA	47-70HZ	900A

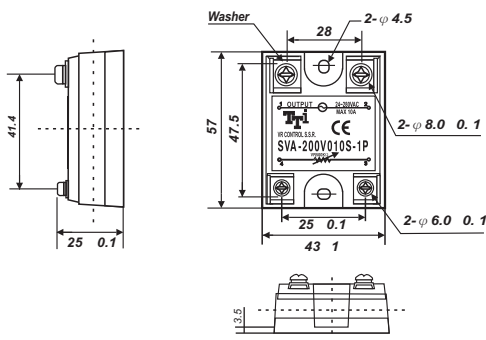
MODEL SERIES NO.	MAX OFF STATE dv/dt	MAX ON-STATE VOLTAGE DROP	ISOLATE IMPEDENCE	DIELECTRIC STRENGTH INPUT-OUTPUT	DIELECTRIC STRENGTH INPUT-OUTPUT-CASE	TURN ON TIME	TURN OFF TIME	CAPACITANCE IN-OUT	WEIGHT (g)
SVA-200V010S-1P	500 V/μsec	2.0Vrms	10 <sup>9</sup> Ω	—	4000 VACrms	LESS 2 msec	LESS 1/2 AC CYCLE	LESS 15 PF	100 g
SVA-200V015S-1P	500 V/μsec	2.0Vrms	10 <sup>9</sup> Ω	—	4000 VACrms	LESS 2 msec	LESS 1/2 AC CYCLE	LESS 15 PF	100 g
SVA-200V025S-1P	500 V/μsec	2.0Vrms	10 <sup>9</sup> Ω	—	4000 VACrms	LESS 2 msec	LESS 1/2 AC CYCLE	LESS 15 PF	100 g
SVA-200V040S-1P	500 V/μsec	2.0Vrms	10 <sup>9</sup> Ω	—	4000 VACrms	LESS 2 msec	LESS 1/2 AC CYCLE	LESS 15 PF	100 g
SVA-200V050S-1P	500 V/μsec	2.0Vrms	10 <sup>9</sup> Ω	—	4000 VACrms	LESS 2 msec	LESS 1/2 AC CYCLE	LESS 15 PF	100 g
SVA-200V075S-1P	500 V/μsec	2.0Vrms	10 <sup>9</sup> Ω	—	4000 VACrms	LESS 2 msec	LESS 1/2 AC CYCLE	LESS 15 PF	100 g
SVA-200V090S-1P	500 V/μsec	2.0Vrms	10 <sup>9</sup> Ω	—	4000 VACrms	LESS 2 msec	LESS 1/2 AC CYCLE	LESS 15 PF	100 g

## Parts No.

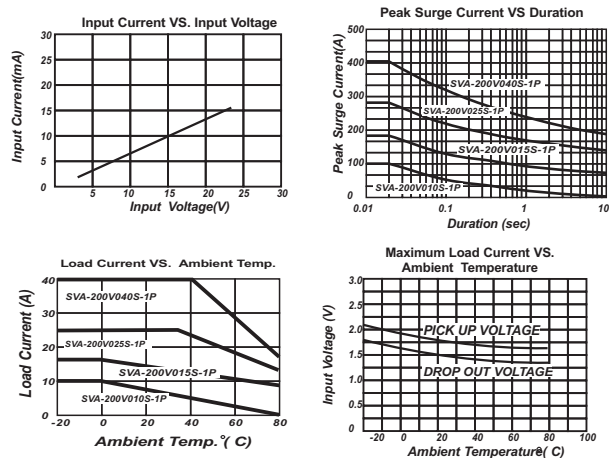
**SVA-200V010S-1P**

Switching Type : P = Phase Control  
Packing : 1 = Screw Type  
Phase : S = Single Phase  
Loading Current : 010 = 10A, 015 = 15A, 025 = 25A, 040 = 40A  
050 = 50A, 075 = 75A, 090 = 90A  
Control Resistance : V = 0~500KΩ  
Loading Voltage : 200 = 24~280VAC  
Control Type : VA = VR Control AC  
S = S.S.R

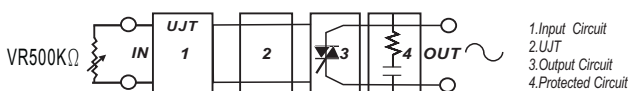
## Outline Dimensions(Unit : mm)



## Characteristic Curves



## Equivalent Circuit



### Attention:

In order to be in compliance with the EMC Directive an additional X2 capacitor at the output is required if the SSR is operated as single component. In case the SSR is incorporated in an appliance the existing EMI filter may provide the required EMI suppression. The X2 capacitor must be placed as close as possible to the output terminals. See also above.