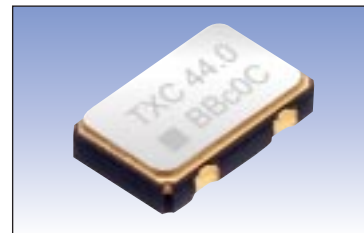


5 x 3.2 mm SMD SEAM SEALED CXO TYPE / 7C SERIES

■ **Features**

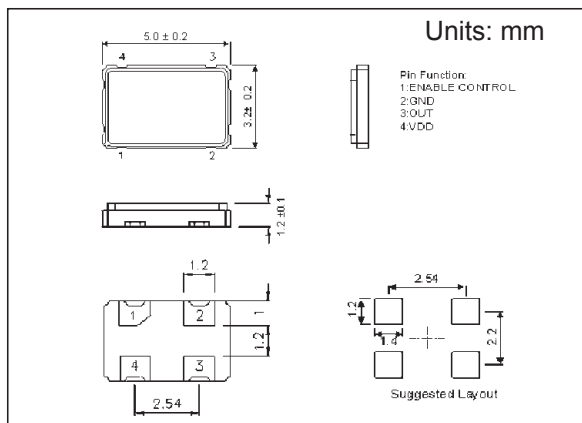
- Ultra small SMD type clock crystal oscillator units.
- High precision characteristic covering up to high frequency range.
- Designed for automatic mounting and reflow soldering.
- Optionable stand-by function for output: Tri-state output.
- Supply voltage range: 1.8 V ~ 5 V.
- High stability, low jitter, low power consumption.
- Main application: wireless communication set, PDA, and DSC.
- Lead free parts.



■ **Electrical Specifications**

Item	Type	7C	
Output Load (CMOS)	15 pF	15 pF, 30 pF	15 pF, 50 pF
Supply Voltage	1.8 V	2.5 V, 2.8 V, 3.3 V	5 V
Frequency Range		1.5 ~ 125 MHz	
Frequency Stability		± 25 ppm, ± 50 ppm	
Operating Temperature Range		-10 ~ +70 °C, -40 ~ +85 °C	
Storage Temperature Range		-55 ~ +125 °C	
Voltage Vol (Max.) / Voh (Min.)		0.1 VDD / 0.9 VDD	
Rise (Tr Max.) / Fall (Tf Max.) Time		10 ns Max.	
Supply Current	20 mA Max.	30 mA Max.	45 mA Max.
Symmetry		40 ~ 60%	
Start-up Time		10 ms Max.	
Phase Jitter (12 KHz ~ 20 MHz)		10 ps Max.	
Aging (at 25 °C)		± 3 ppm / year Max.	

■ **Dimensions**



■ **Reflow Condition**

