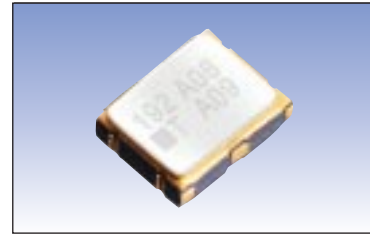


3.2 x 2.5 mm SEAM SEALED TCXO / 7Q SERIES

■ Features

- Temperature Compensated Crystal Oscillator (TCXO)
- Analog compensated.
- Voltage control function available
- For handset and other wireless application
- Standard frequencies: 13, 19.2, 26 and 38.4MHz.
- Lead free parts.

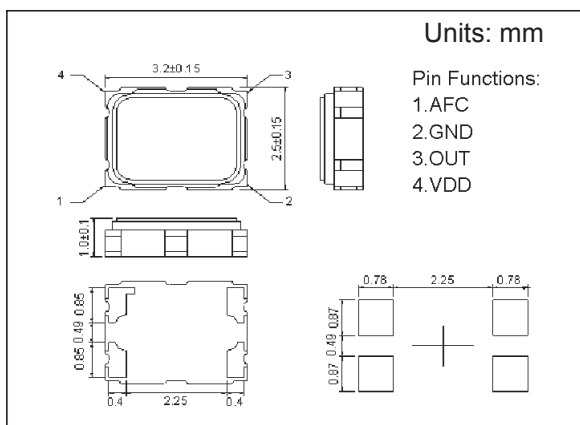


■ Electrical Specifications

Item	Type	7Q
Output Load		10 K Ω // 10 pF
Supply Voltage		2.4 ~ 3.5V
Frequency Range		10 ~ 40 MHz
Clipped Sinewave Output Voltage		1 or 1.2 Vp-typical (selective)
Frequency Stability	Vs. Temperature (-30 ~ +85 °C)	$\pm 1 \sim \pm 2.5$ ppm
	Vs. Load (Load varies $\pm 10\%$)	± 0.3 ppm Max.
	Vs. Supply Voltage (Vcc=Typical ± 0.1 V)	± 0.3 ppm Max.
Frequency Tolerance	at 25 °C with Vcontrol = Typical	± 1.5 ppm Max.
	at 25 °C after 2 Reflows with Typical Applied to Auto Frequency Control Pin	± 2.5 ppm Max.
Storage Temperature Range		-40 ~ +85 °C
Auto Frequency Control(AFC) Range*		$\pm 2 \sim \pm 20$ ppm / V
Supply Current		2.5 mA Max.
Start-up Time		5 ms Max.
Harmonics		-5 dBc Max.
Phase Noise at 1 KHz offset		-130 dBc / Hz
Aging (at 25 °C)		± 1 ppm / year Max.

* AFC Range is selective, and disable is acceptable.

■ Dimensions



■ Reflow Condition

