

**5 x 3.2 mm SMD PROGRAMMABLE CLOCK CRYSTAL OSCILLATOR (PCXO) / 8K SERIES**

■ **Features**

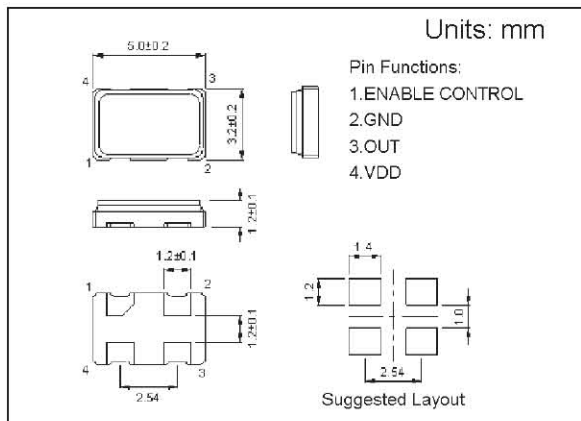
- Two times programmable: test programming box and S/W available.
- Lead free parts.



■ **Electrical Specifications**

Item	Type	PCXO 5032
Output Load (CMOS)		15 pF
Supply Voltage		3.3 V, or specify
Frequency Range		2 ~ 200 MHz
Frequency Stability		± 50 ppm, ± 100 ppm
Operating Temperature Range		-40 ~ +85 °C
Storage Temperature Range		-55 ~ +125 °C
Voltage Vol (Max.) / Voh (Min.)		0.1 VDD / 0.9 VDD
Rise (Tr Max.) / Fall (Tf Max.) Time		4 ns Max.
Supply Current		30 mA Max.
Symmetry		45 ~ 55 %
Start-up Time		10 ms Max.
Phase Jitter (12 KHz ~ 20 MHz)		250 ps Max
Aging (at 25°C)		± 5 ppm / year Max.

■ **Dimensions**



■ **Reflow Condition**

