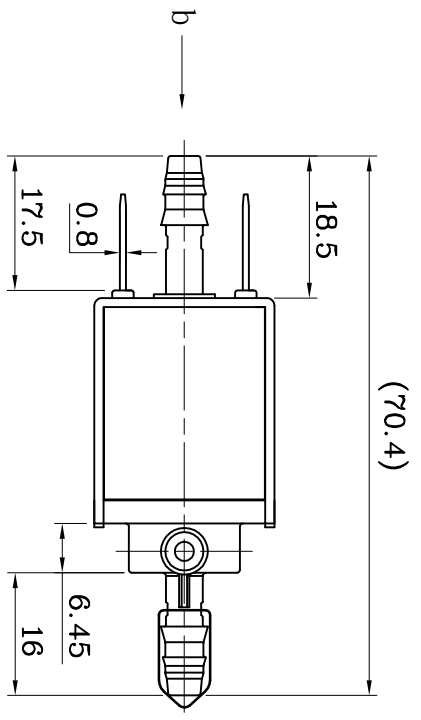
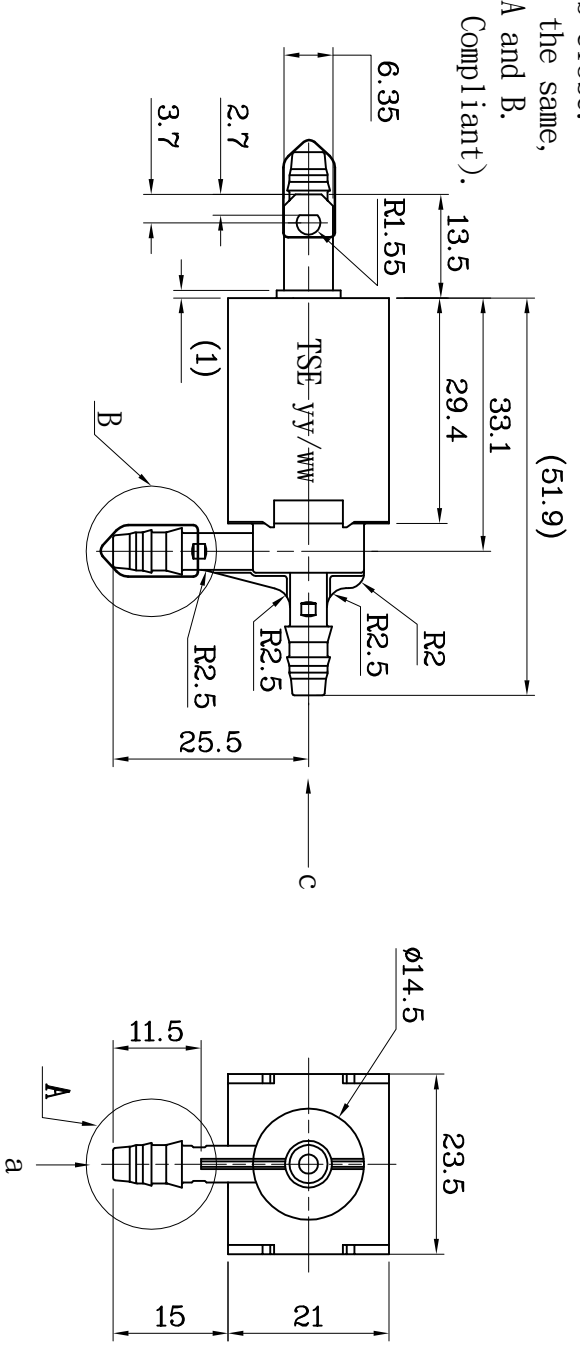


備註:

1. 本圖為未通電狀態 (Shown Unenergized).
2. R角皆為參考值
3. Power off: a~b open a~c close.
Power on : a~c open a~b close.
4. a. b. c's dimension are the same, please refer to view A and B.
5. 本機種需符合ROHS(ROHS Compliant).



(70.4)

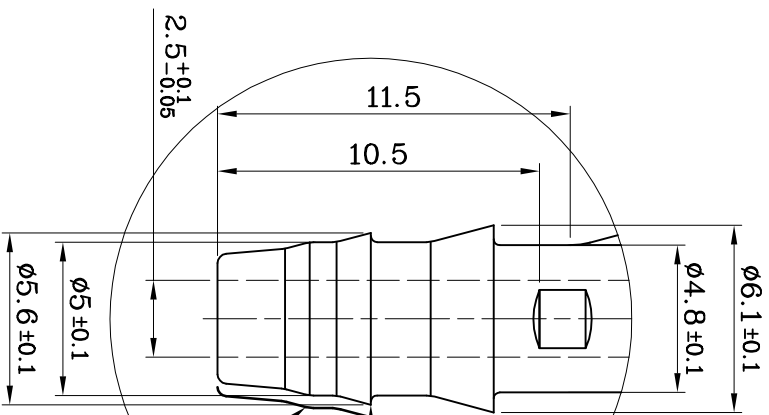
(51.9)

APPROVED	研發 JUN 12 2007 杜麗君	CONFIRMED	研發 JUN 07 2007 馬家球	CHECKED	研發 JUN 06 2007 葉岸軍	DESIGNED	研發 JUN 04 2007 邱劍俊	DRAWN	研發 JUN 04 2007 邱劍俊	VER.	ECR07051401T	ENGINEERING CHANGE DESCRIPTION	SMOVA-08300C10AA料號統一	NAME	邱劍俊	DATE	070531
----------	--------------------------	-----------	--------------------------	---------	--------------------------	----------	--------------------------	-------	--------------------------	------	--------------	--------------------------------	----------------------	------	-----	------	--------

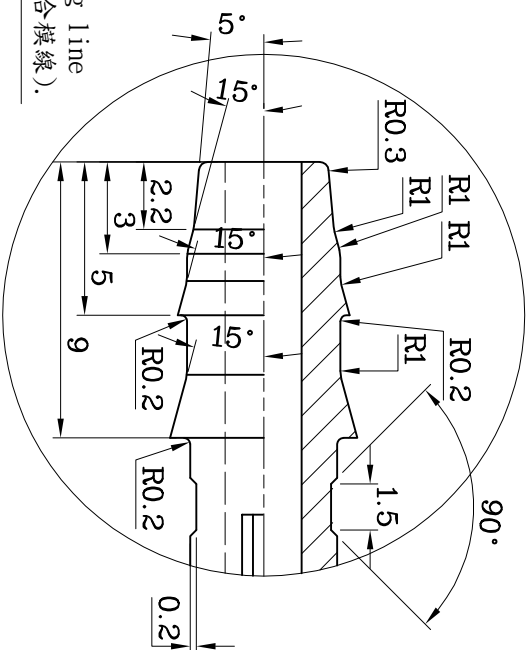
Unit: mm	Dimensions Tolerance
Scale: 1:1	0 ~ 3 ±0.2
Radius: R0.1	> 3 ~ 6 ±0.3
Chamfer: 0.1*45	> 6 ~ 30 ±0.5
3rd Angle Projection	> 30 ~ 120 ±0.8
General Machined Roughness	> 120 ~ 315 ±1.2
	> 315 ~ 1000 ±2
	> 1000 ~ 2000 ±3
Angles Tolerance	±30
Material	
Treatment	
Finish	
DRAWING NO.	
DWG190-08A01	
DRAWING NAME: 外形圖	
USED ON: SMOVA-0830XXAA	
Page 1 of 2	VER. B

1 2 3 4 5 6 7

- 備註：
1. 本圖為未通電狀態 (Shown Unenergized).
 2. R角皆為參考值
 3. 本機種需符合ROHS (ROHS Compliant).



Sharp edge (含模處)
 Parting line = 0, No Parting line in the sealing area (不可有含模線).



B部放大圖

A部放大圖

Unit: mm		Dimensions Tolerance	Material
Scale: 4:1	0 ~ 3	±0.2	Treatment
Radius: R0.1	> 3 ~ 6	±0.3	Finish
Chamfer: 0.1*45°	> 6 ~ 30	±0.5	DRAWING NO.
3rd Angle Projection	> 30 ~ 120	±0.8	DWG190-08A01
General Machined Roughness	> 120 ~ 315	±1.2	DRAWING NAME: 外形圖
	> 315 ~ 1000	± 2	USED ON: S10VA-08300CXXXX
	> 1000 ~ 2000	± 3	
	Angles Tolerance	±30	

APPROVED	CONFIRMED	CHECKED	DESIGNED	DRAWN	VER.	ENGINEERING CHANGE DESCRIPTION	NAME	DATE											
研發 杜麗君 JUN 12 2007	研發 馬家球 JUN 07 2007	研發 葉岸軍 JUN 05 2007	研發 邱劍俊 JUN 04 2007	研發 邱劍俊 JUN 04 2007	△	ECR07051401T S10VA-08300C10AAA料號統一	邱劍俊	070531											