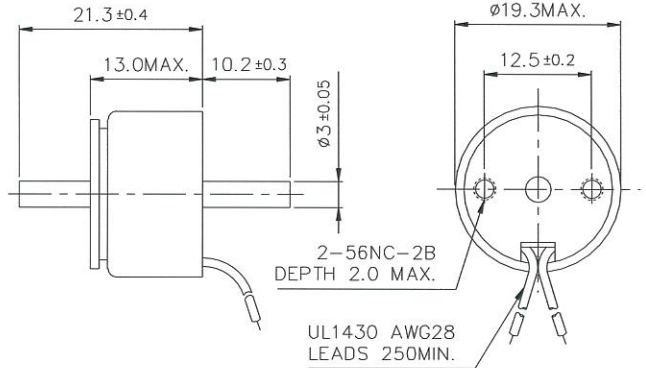




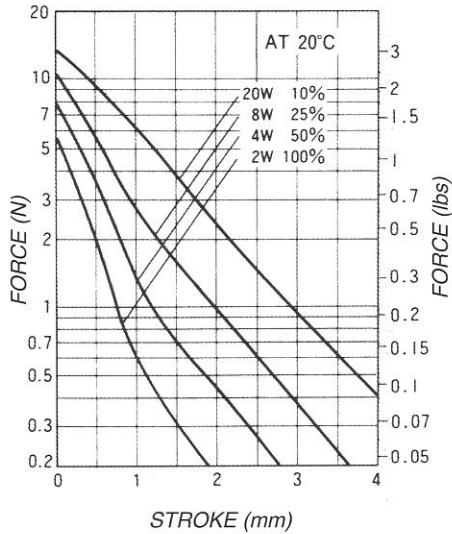
SMT-1913SL Small Push-Pull Solenoids



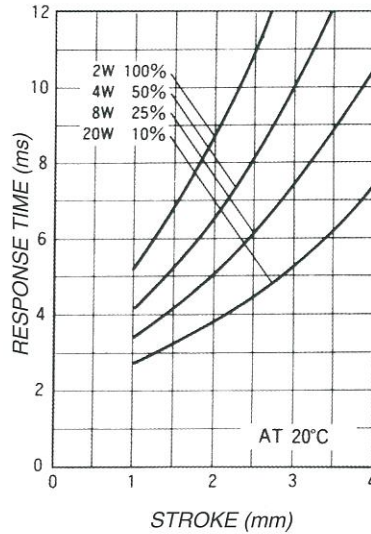
Plunger Weight 可動鐵心重量 : 4g
Total Weight 總重量 : 20g

Shown Energized 通電狀態 UNIT 單位 : mm

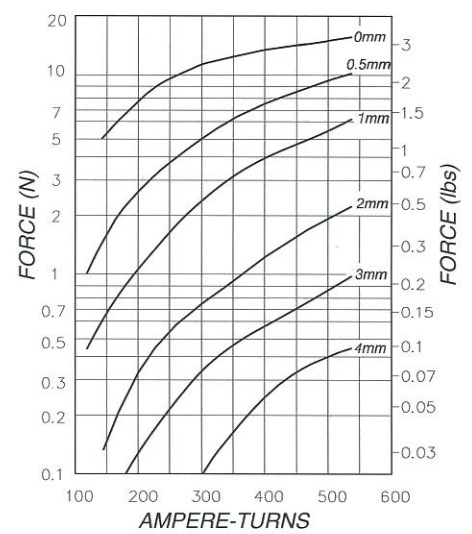
STROKE Vs FORCE 行程 / 吸引力



STROKE Vs RESPONSE TIME 行程 / 反應時間



AMPERE-TURNS Vs FORCE 安-匝 / 吸引力



COIL DATA 線圈資料

| Duty cycle (%) = $\frac{\text{"ON" time}}{\text{"ON" time} + \text{"OFF" time}} \times 100\%$ | | Continuous (100%) | Or less (50%) | Or less (25%) | Or less (10%) | |
|---|------------------------------|-------------------|---------------|---------------|---------------|-----|
| 作動週期 (%) = $\frac{\text{ON 時間}}{\text{ON 時間} + \text{OFF 時間}} \times 100\%$ | | 連續 (100%) | 間斷 (50%) | 間斷 (25%) | 間斷 (10%) | |
| MAX. "on" time in seconds 最大 ON 時間 (秒) | | ∞ | 100 | 36 | 7 | |
| Watts at 20°C 瓦特數 (W) (在 20°C) | | 2 | 4 | 8 | 20 | |
| Ampere-turns at 20°C AT 值 (在 20°C) | | 170 | 240 | 340 | 537 | |
| Type no. | Resistance (20°C) Ω ± 10% | No. turns | Volts DC | | | |
| 型號 | 阻值 (Ω) ± 10% | 繞線圈數 | 電壓 | | | |
| SMT-1913SL03AA | 4.9 | 295 | 3 | 4.2 | 6 | 9.5 |
| SMT-1913SL06AA | 21.5 | 620 | 6 | 8.5 | 12 | 19 |
| SMT-1913SL12AA | 89 | 1230 | 12 | 17 | 24 | 38 |
| SMT-1913SL24AA | 307 | 2120 | 24 | 34 | 48 | 76 |