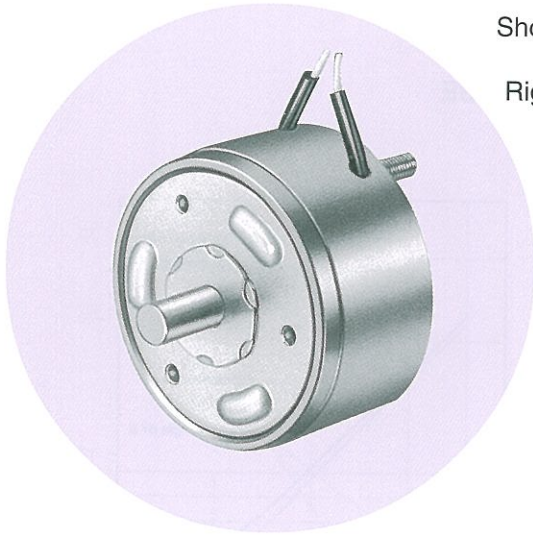
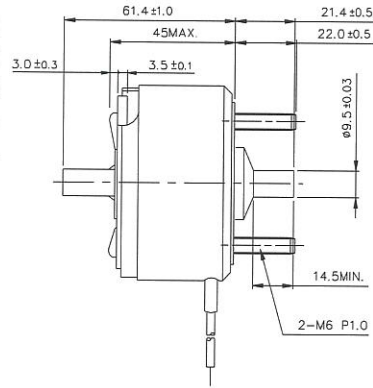


SMTR-7045 Rotary Solenoids

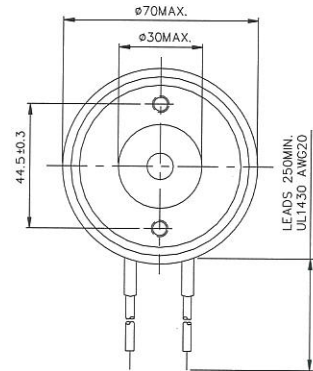
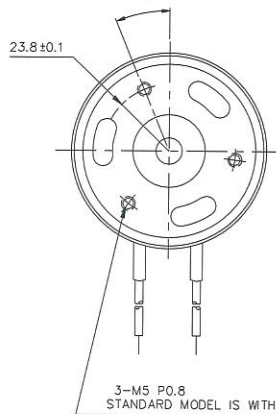


Weight 重量 : 1013g

UNIT 單位 : mm
Shown De-energized
斷電狀態
Right Hand Rotation
右邊旋轉



1/2 ROTATION ANGLE ±3° TO LEFT OF CENTER FOR R.H. ROTATION, RIGHT OF CENTER FOR L.H. ROTATION.



COIL DATA 線圈資料

Heat Sink : 390 × 390 × 3mm (aluminum)
Return spring torque : 0.075 ~ 0.105 N.m

散熱片 : 390 × 390 × 3mm (鋁)
復歸彈簧扭力 : 0.075 ~ 0.105 牛頓·米

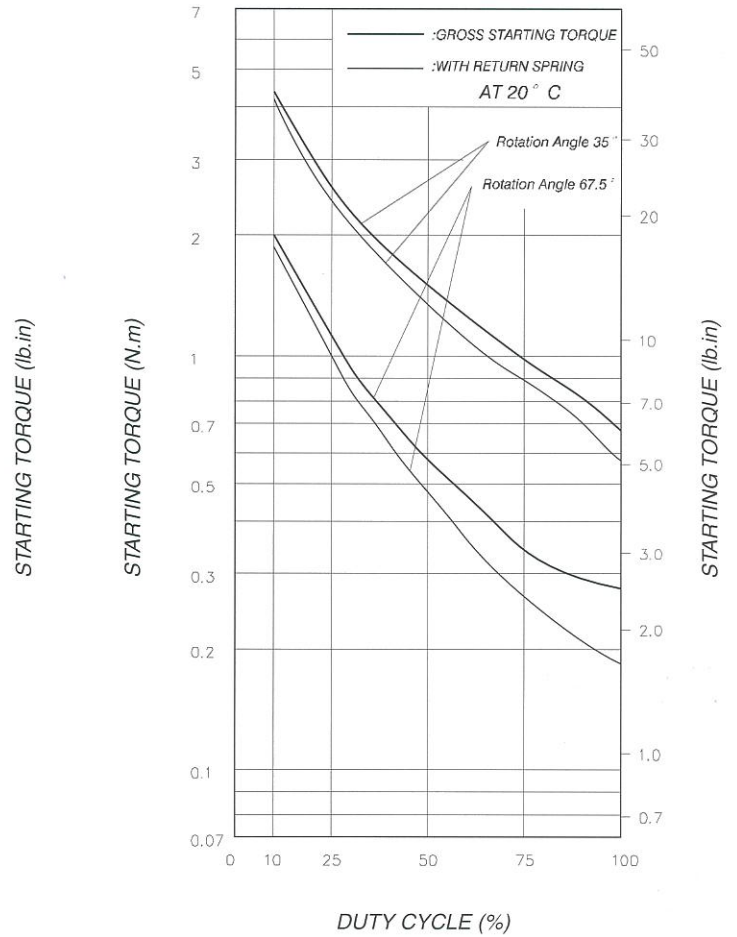
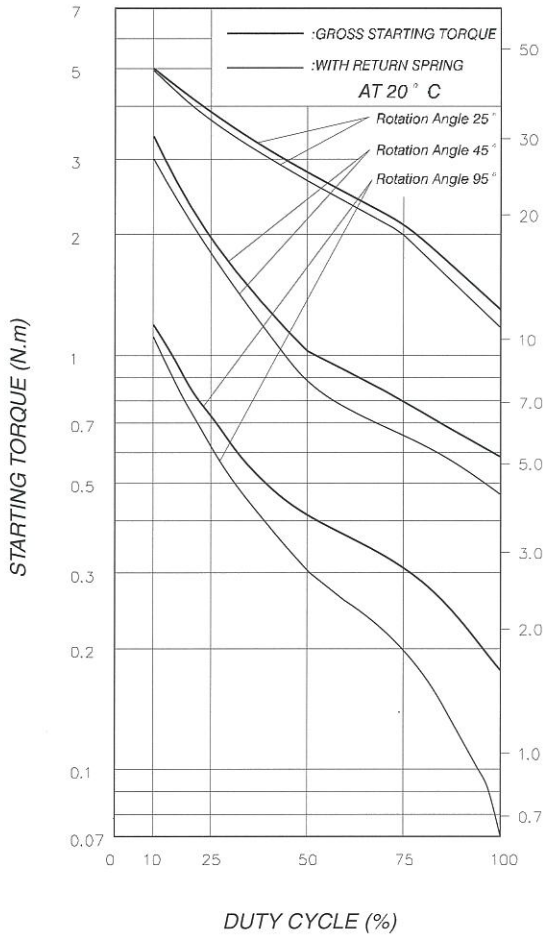
| Duty cycle (%) = $\frac{\text{"ON" time}}{\text{"ON" time} + \text{"OFF" time}} \times 100\%$ 作動週期 (%) = $\frac{\text{ON 時間}}{\text{ON 時間} + \text{OFF 時間}} \times 100\%$ | | Continuous (100%) 連續 (100%) | Or less (75%) 間斷 (75%) | Or less (50%) 間斷 (50%) | Or less (25%) 間斷 (25%) | Or less (10%) 間斷 (10%) | |
|--|--|--------------------------------|---------------------------|---------------------------|---------------------------|---------------------------|------|
| MAX. "on" time in seconds 最大 ON 時間 (秒) | | ∞ | 112 | 80 | 37 | 16 | |
| Watts at 20°C 瓦特數 (W) (在 20°C) | | 35 | 46.5 | 70 | 140 | 350 | |
| Ampere-turns at 20°C AT 值 (在 20°C) | | 1570 | 1800 | 2230 | 3150 | 5000 | |
| Gross starting torque at 20°C (N · m) 起始扭力 (牛頓 · 米) (在 20°C) | | A: 25° | 1.27 | 2.12 | 2.74 | 3.8 | 4.9 |
| | | B: 35° | 0.69 | 0.99 | 1.38 | 2.53 | 4.37 |
| | | C: 45° | 0.58 | 0.78 | 1.0 | 1.88 | 3.42 |
| | | D: 67.5° | 0.288 | 0.355 | 0.59 | 1.12 | 2.01 |
| | | E: 95° | 0.178 | 0.3 | 0.4 | 0.735 | 1.21 |
| Type no. 型號 | Resistance (20°C) $\Omega \pm 10\%$ 阻值 (Ω) $\pm 10\%$ | No. turns 繞線圈數 | Volts DC 電壓 | | | | |
| SMTR-7045 □□ 8AA | 1.88 | 368 | 8 | 9.3 | 11 | 16 | 26 |
| SMTR-7045 □□ 10AA | 3.01 | 468 | 10 | 11 | 14 | 20 | 32 |
| SMTR-7045 □□ 13AA | 4.82 | 580 | 13 | 15 | 18 | 26 | 41 |
| SMTR-7045 □□ 16AA | 8.1 | 780 | 16 | 19 | 23 | 33 | 52 |
| SMTR-7045 □□ 20AA | 12.3 | 949 | 20 | 23 | 29 | 41 | 65 |
| SMTR-7045 □□ 26AA | 19 | 1148 | 26 | 30 | 37 | 52 | 83 |
| SMTR-7045 □□ 33AA | 30.8 | 1472 | 33 | 38 | 46 | 66 | 105 |
| SMTR-7045 □□ 41AA | 48.8 | 1854 | 41 | 47 | 59 | 83 | 132 |
| SMTR-7045 □□ 52AA | 81.1 | 2436 | 52 | 60 | 75 | 105 | 166 |
| SMTR-7045 □□ 64AA | 121 | 2944 | 64 | 74 | 92 | 130 | 206 |
| SMTR-7045 □□ 82AA | 190 | 3650 | 82 | 94 | 118 | 166 | 264 |
| SMTR-7045 □□ 104AA | 275 | 4175 | 104 | 119 | 147 | 209 | 331 |
| SMTR-7045 □□ 119AA | 440 | 5792 | 119 | 137 | 170 | 240 | - |
| SMTR-7045 □□ 165AA | 735 | 7000 | 165 | 191 | 235 | 331 | - |
| SMTR-7045 □□ 204AA | 995 | 7600 | 204 | 239 | 288 | - | - |

□□ : Rotation Direction and Angle □□ : 旋轉方向及角度

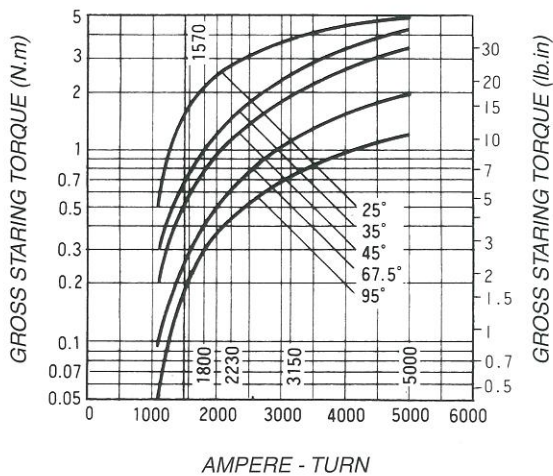


SMTR-7045 Rotary Solenoids

DUTY CYCLE Vs STARTING TORQUE 工作週期 / 起始扭力



AMPERE TURN Vs GROSS STARTING TORQUE 安-匝 / 起始扭力



AMPERE-TURN Vs RESPONSE TIME 安-匝 / 反應時間

